

AV-D40 (D Series) Dynamic Mount

Tilt and swivel · Double arm · Heavy duty

Features

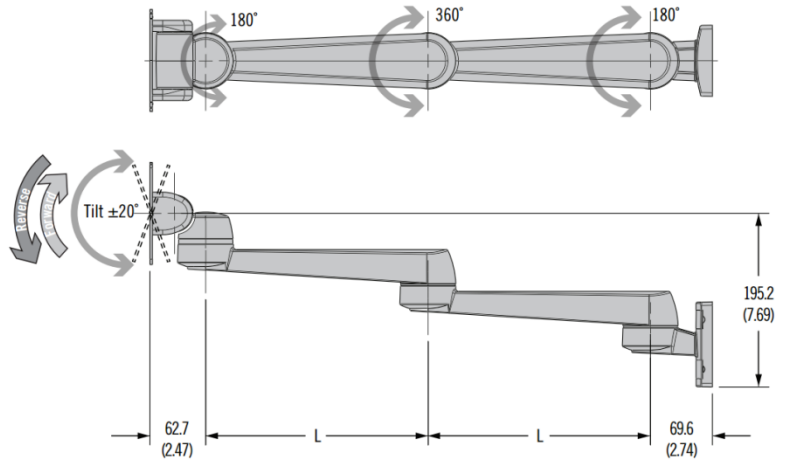
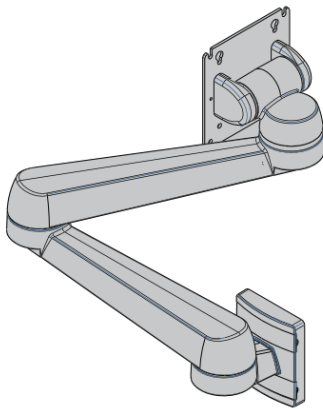
- Intuitive grab and move operation enhances the user experience
- No knobs or tools required to reposition the display
- Precise control of operating effort ensures ideal "feel" and eliminates "drift"
- Holds securely, even in applications with dynamic loading
- Consistent repeatable operation
- Fully enclosed for optimum cleanability
- Snap-on wire management cover
- Factory assembled and ready for use
- VESA MIS-D, 100, C compliant
- Available in black or white

Material

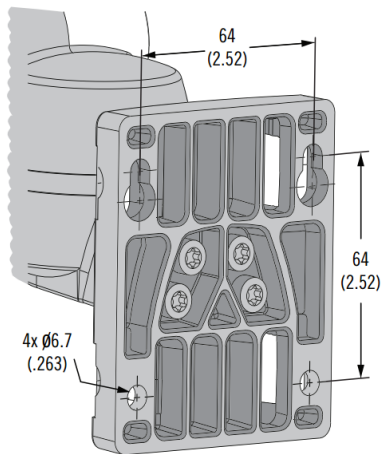
- Aluminum alloy, powder coated

Product Performance

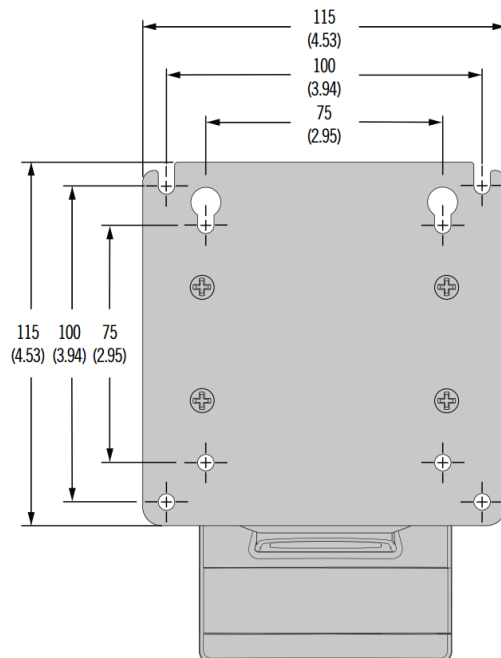
- Cycle performance: 20,000 cycles
- Max. dynamic working load:
 - Model 141 and 143: 70 N
 - Model 142: 100 N
 - Model 144: 225 N
- Average ultimate load:
 - Double arm: 1,050 N
- Note: Double arm not recommended for displays over 18 kg



Mounting Pattern



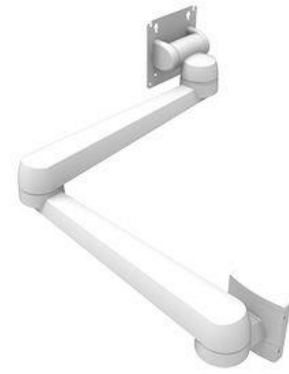
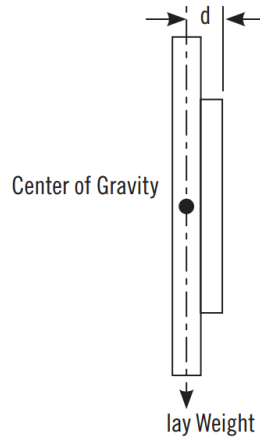
Display Mounting Plate



Specification and Selection

Step 1

Determine display weight and distance (d) from mounting surface to center of gravity.

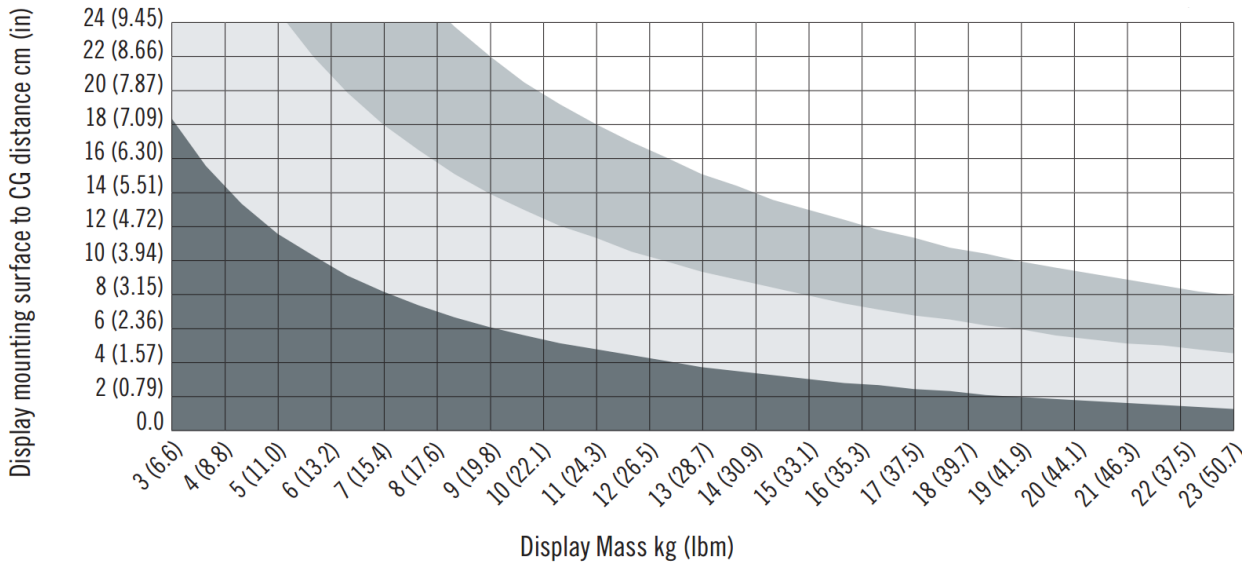


Step 2

Use chart below to select model (141, 142, 143 or 144).

Note: Double Arm not recommended for displays over 18 kg (39 lb)

Model 144 Model 142 Model 141, 143



Step 3

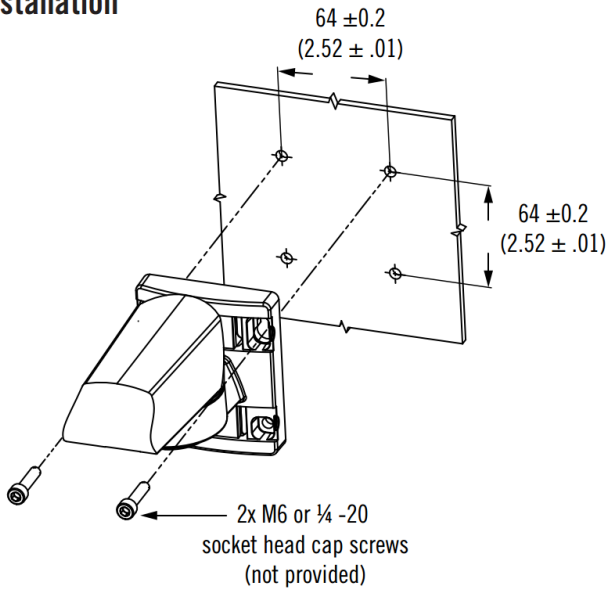
Complete part number by selecting length and color options below.

Style	Model	Tilt Torque N•m (in•lbf)		Swivel Torque N•m (in•lbf)			Arm Length, L		
		Reverse	Forward	At Display Mount	At Wall Mount	Center Joint	None	250 (9.8)	325 (12.8)
Double arm	141	7.9 (70)	1.3 (10)	3 (27)	6 (53)	3 (27)	N/A	AV-D40-50D141-XX	AV-D40-65D141-XX
	142	15.4 (136)	2.26 (20)	3 (27)	6 (53)	3 (27)	N/A	AV-D40-50D142-XX	AV-D40-65D142-XX
	143	8.6 (76)	6.0 (53)	3 (27)	6 (53)	3 (27)	N/A	AV-D40-50D143-XX	AV-D40-65D143-XX
	144	23.1 (204)	7 (62)	3 (27)	6 (53)	3 (27)	N/A	AV-D40-50D144-XX	AV-D40-65D144-XX

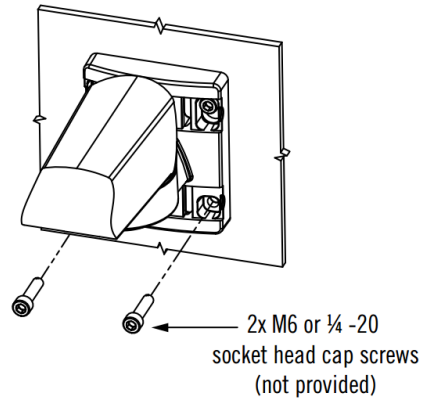
XX	Color
50	Black
76	White

Installation

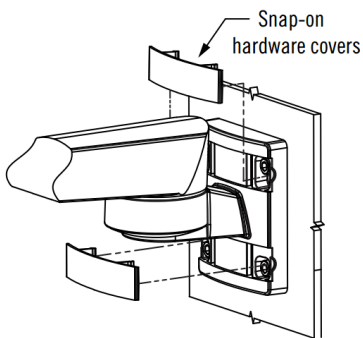
1.



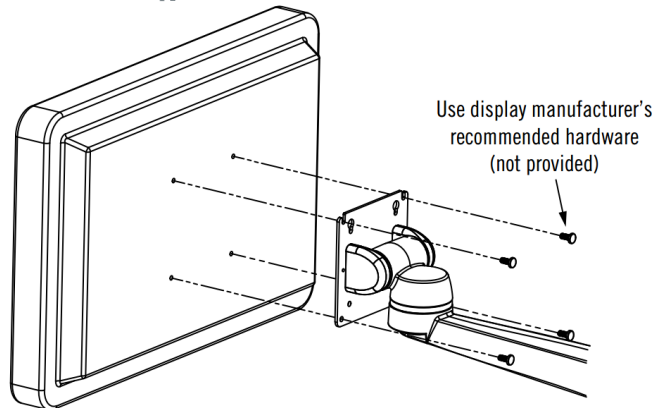
2.



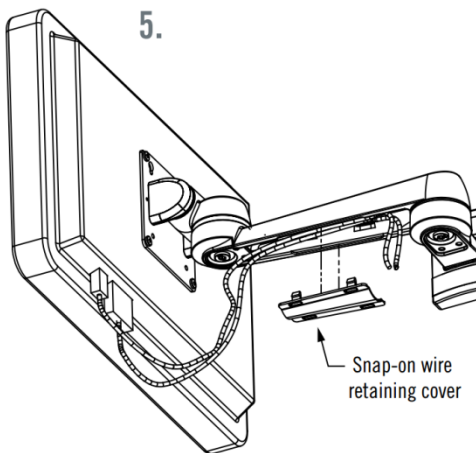
3.



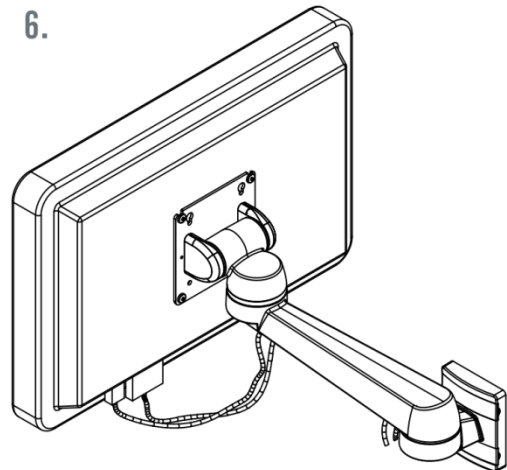
4.



5.



6.



Mounting screws affixing the arm to the mounting plate shall not be removed or loosened. Should removal or loosening of mounting screws occur, replace mounting screws using new M6-1.0 x 25, Class 12.9, high tensile cap head screws and plain washers, tighten to 14-16Nm.

Maximum arm loading-single arm-23Kg/double arm-18Kg. Removal or loosening, or in the event of removal or loosening and failure to replace factory installed mounting screws with manufacturer specified new mounting screws, tightened to 14-16Nm may result in catastrophic failure of bolts causing mounted equipment to fall from mounting surface causing injury to persons and property.